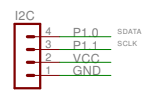
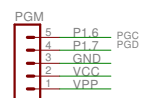


Port Map

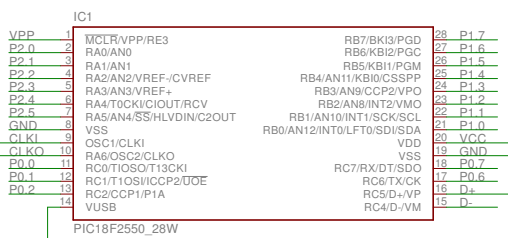
- Port 0.0 - RC0 - Pin 11
- Port 0.1 - RC1 - Pin 12
- Port 0.2 - RC2 - Pin 13
- Port 0.3 - 0.5 - Not available
- Port 0.6 - RC6 - Pin 17
- Port 0.7 - RC7 - Pin 18
- Port 0 Modes: CMOS output, P0 has No internal pullups.
- Port 1.0 - RB0 - Pin 21
- Port 1.1 - RB4 - Pin 22
- Port 1.2 - RB4 - Pin 23
- Port 1.3 - RB4 - Pin 24
- Port 1.4 - RB4 - Pin 25
- Port 1.5 - RB5 - Pin 26
- Port 1.6 - RB6 - Pin 27 - Also PGC
- Port 1.7 - RB7 - Pin 28 - Also PGD
- Port 1 Modes: CMOS output, P1 has optional internal pullups
- Port 2.0 - RA0 - Pin 2
- Port 2.1 - RA1 - Pin 3
- Port 2.2 - RA4 - Pin 4
- Port 2.3 - RA4 - Pin 5
- Port 2.4 - RA4 - Pin 6
- Port 2.5 - RA5 - Pin 7
- Port 2.6 - 2.7 - Not Available
- Port 2 Modes: CMOS output, P2 has No internal pullups.



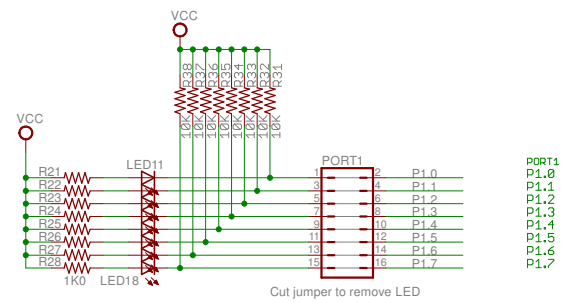
I2C Port



PGM Port

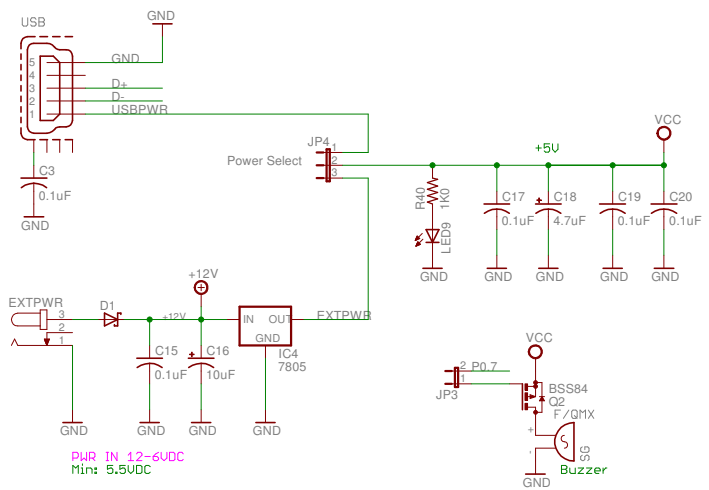


Internal D+ Pullup enabled.
Do not install R0.

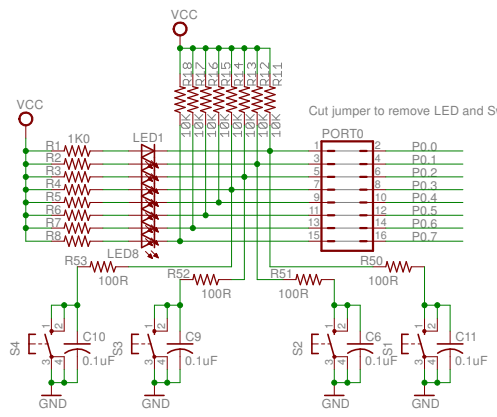


Cut jumper to remove LED

PORT1
P1.0
P1.1
P1.2
P1.3
P1.4
P1.5
P1.6
P1.7

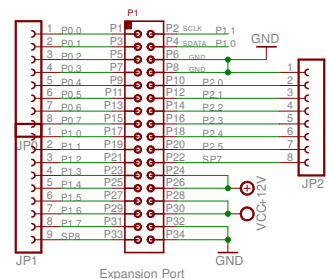
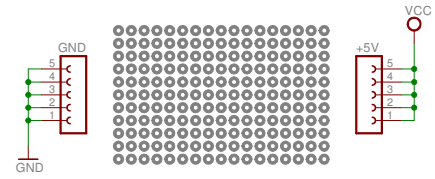


PHR IN 12-6VDC
Min: 5.5VDC

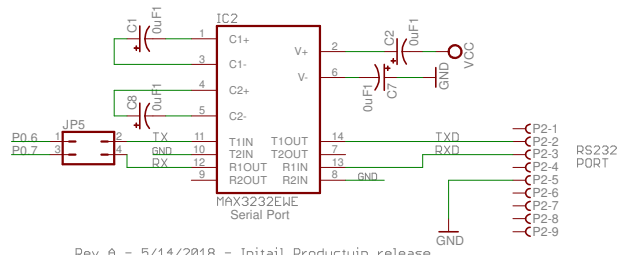


Cut jumper to remove LED and Switches

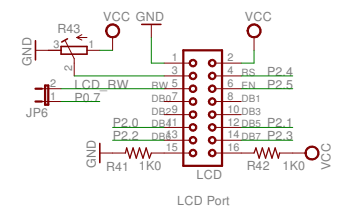
Port Mapping
PORT0
P0.0
P0.1
P0.2
P0.3 - Not Available on Chip.
P0.4 - Not Available on Chip.
P0.5 - Not Available on Chip.
P0.6
P0.7



Expansion Port



MAX3232EWE
Serial Port



LCD Port

PCB Dimensions: 4"x2"

Rev A - 5/14/2018 - Initial Productin release
Rev B - Corrected PGM header pins 4(PGD) and 5(PGC).
Rev C - 5-2-2021 - Added R0 Note. Removed Upp from USB Connector.

Delcom Products

TITLE: USBPICDEMO-16

| | |
|----------------------------|------------|
| Document Number: | REV: C |
| Date: 5/12/2021 7:52:27 PM | Sheet: 1/1 |