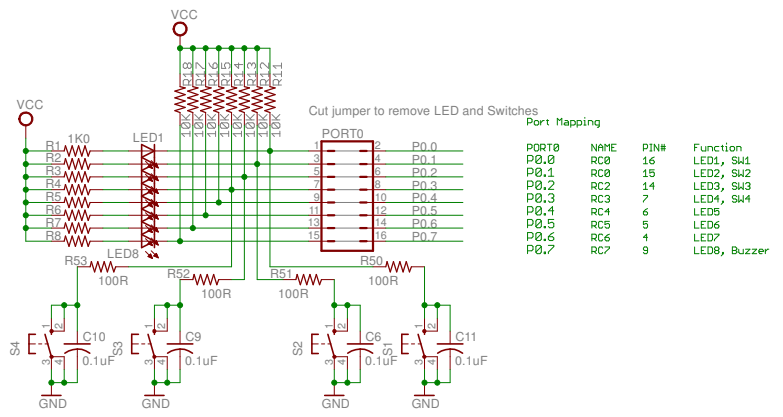
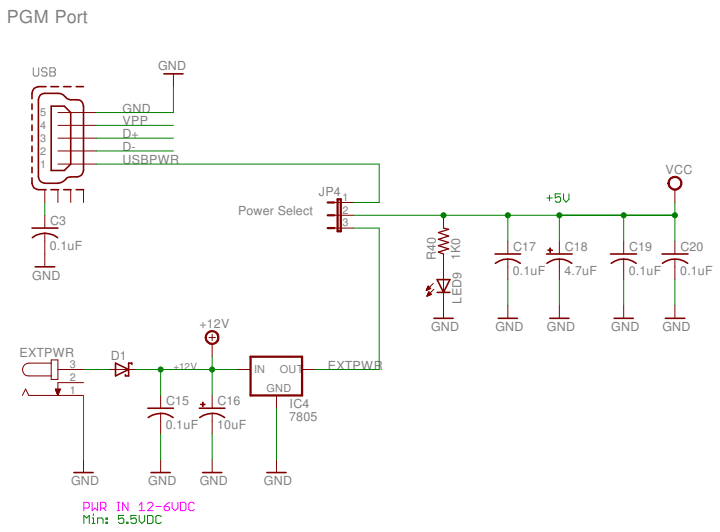
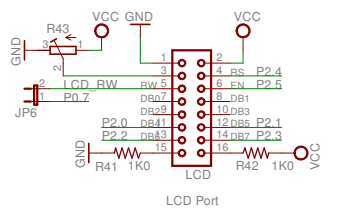
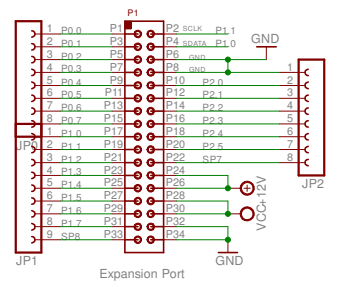
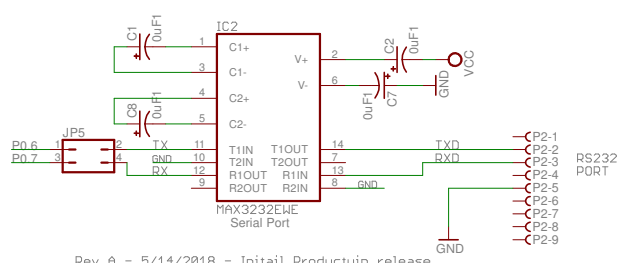
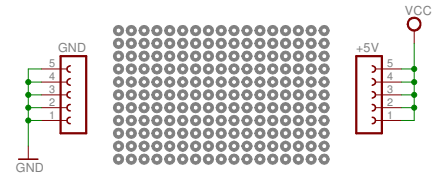
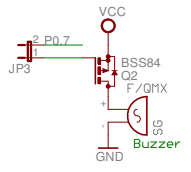


PORT1	NAME	PIN#	Function
P1.0	RB0	13	LED21
P1.1	RB1	12	LED22
P1.2	RB2	11	LED23
P1.3	RB3	10	LED24
P1.4	RB4	13	LED25
P1.5	RB5	12	LED26, RX
P1.6	RB6	11	LED27
P1.7	RB7	10	LED28, TX



PORT0	NAME	PIN#	Function
P0.0	RC0	16	LED1, SW1
P0.1	RC0	15	LED2, SW2
P0.2	RC2	14	LED3, SW3
P0.3	RC3	7	LED4, SW4
P0.4	RC4	6	LED5
P0.5	RC5	5	LED6
P0.6	RC6	4	LED7
P0.7	RC7	9	LED8, Buzzer



Rev A - 5/14/2018 - Initial Productin release
 Rev B - Corrected PRM header pins 4(PGD) and 5(PGC).

Delcom Products

TITLE: USBPICDEMO-16

Document Number:	REV: B
Date: 11/26/2018 1:31:25 PM	Sheet: 1/1

PCB Dimensions: 4"x2"