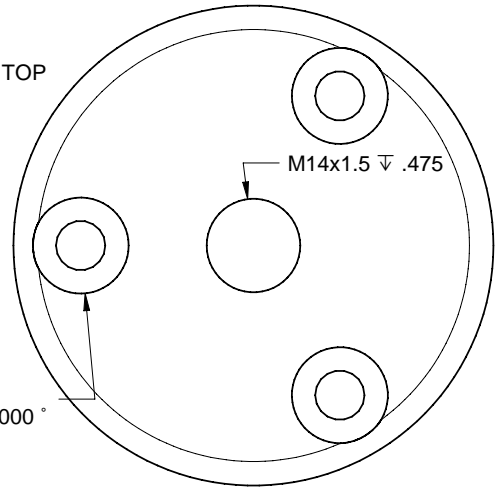




REVISIONS

ZONE	REV	DESCRIPTION	DATE	APPROVED
------	-----	-------------	------	----------

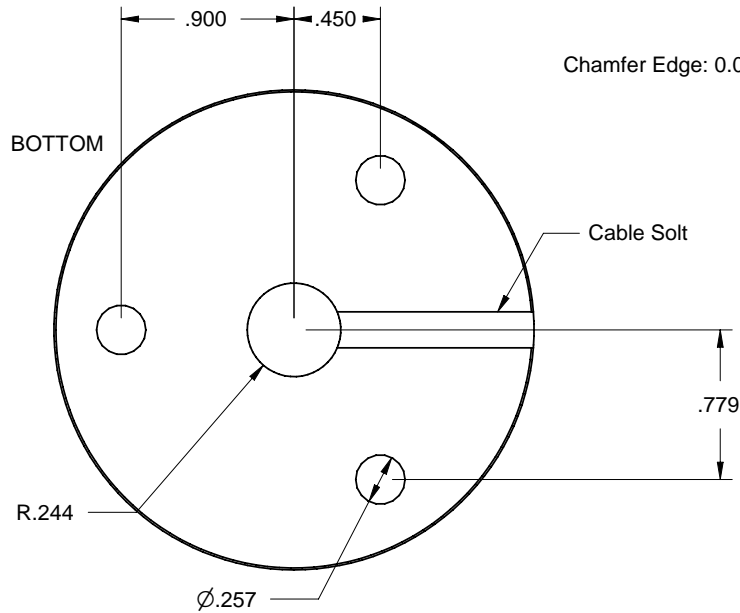
TOP



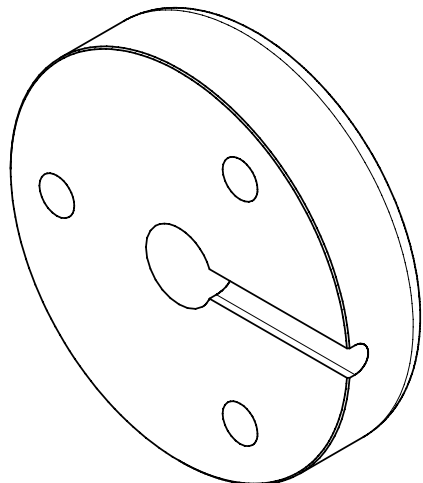
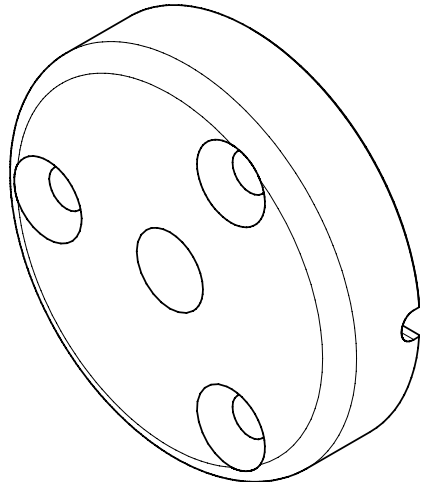
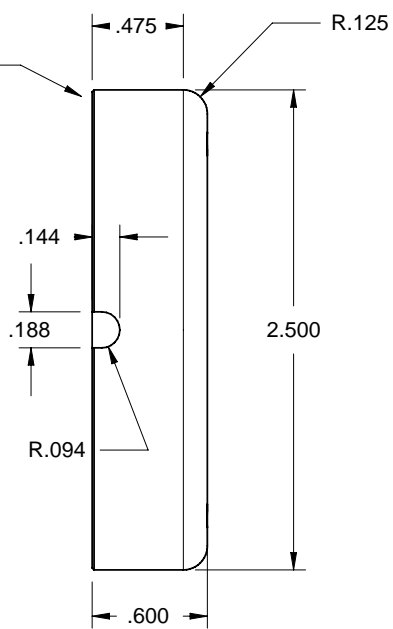
Ø.257 ∇ THRU
 √ Ø.500 X 82.000°

M14x1.5 ∇ .475

BOTTOM



Chamfer Edge: 0.010"



Material: AL 2.5Diameter
 Center Hole: M14x1.5 Tap, 0.475 Deep From Top
 Mounting Holes: Drill(3) thur 0.257"
 Mounting Holes Counter Sunk: 82° 0.500"
 Cable Slot: 3/16 Ball Mill, 0.150" Deep
 Finish: Deburred. Bead Blast. Washed.

SIZE A	FSCM NO.	DWG NO. Pole Mount Base	REV
SCALE	03/25/2010	SHEET	

