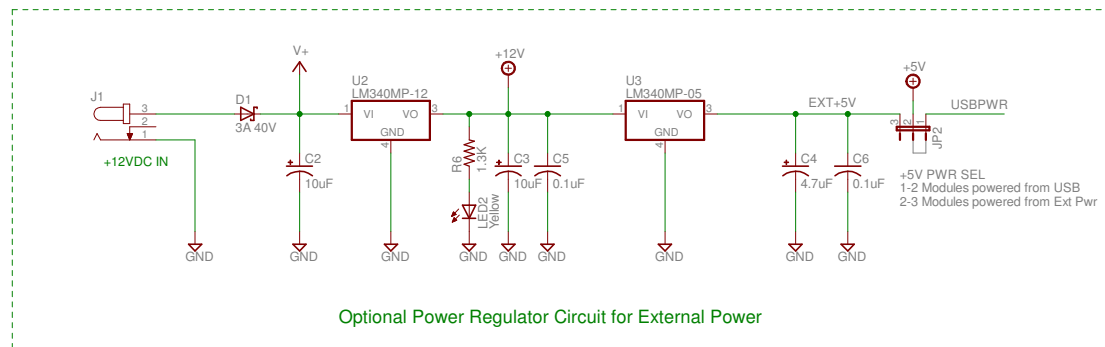
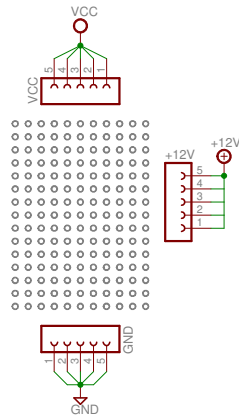


USB CHIP PWR SEL  
 1-2 USB Chip powered from Ext Pwr  
 2-3 USB Chip powered from USB



Optional Power Regulator Circuit for External Power

05/29/2009 Rev A - Changed silk error  
 10/10/2013 Rev B - Chnaged C3 to SMCA 4.7uF

## USB LS Interface Module

TITLE: MODUSBLSINT

Document Number: **USBUSBLSINT**

REV: **B**

Date: 10/10/2013 8:06:09 PM

Sheet: 1/1