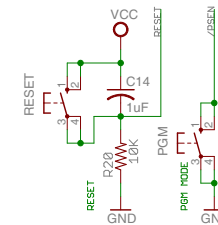
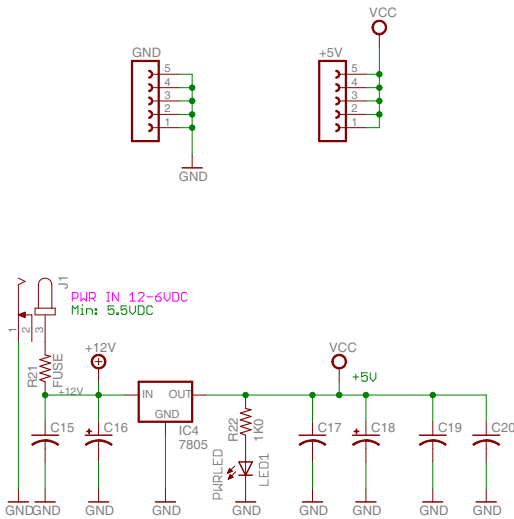
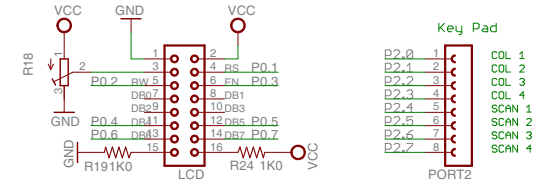
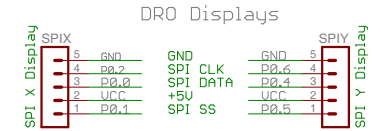
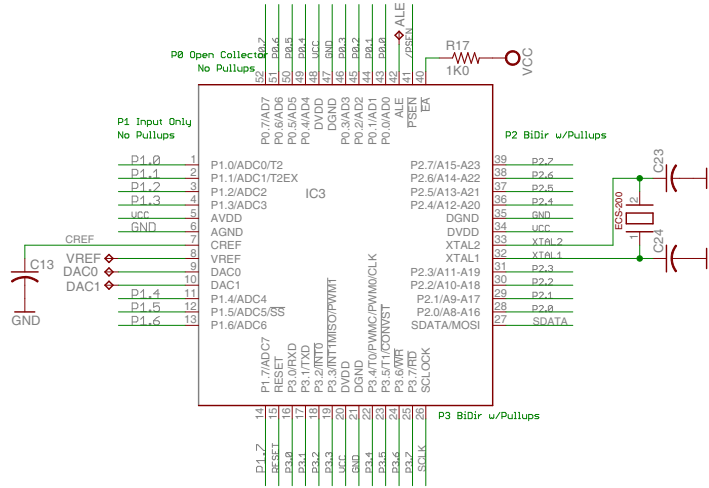
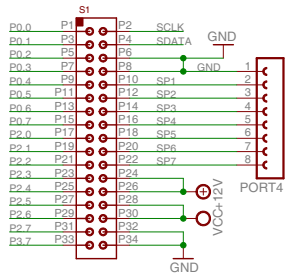


PIN0	PORT0 LCD G.C. No PullUps	PIN1	PORT1 BiDir w/PullUps	PIN2	PORT2 KeyPad BiDir w/PullUps	PIN3	PORT3 RS232 INTs BiDir w/PullUps
PIN1	SPI X DATA	PIN2	SPI X SS	PIN3	SPI X CLK	PIN4	SPI X DATA
PIN5	SPI X SS	PIN6	SPI X CLK	PIN7	SPI X DATA		



Delcom Products

TITLE: ADU841

Document Number:	REV:
------------------	------

Date: 8/5/2011 12:11:20 PM

Sheet: 1/1

PCB Dimensions: 4"x2"

