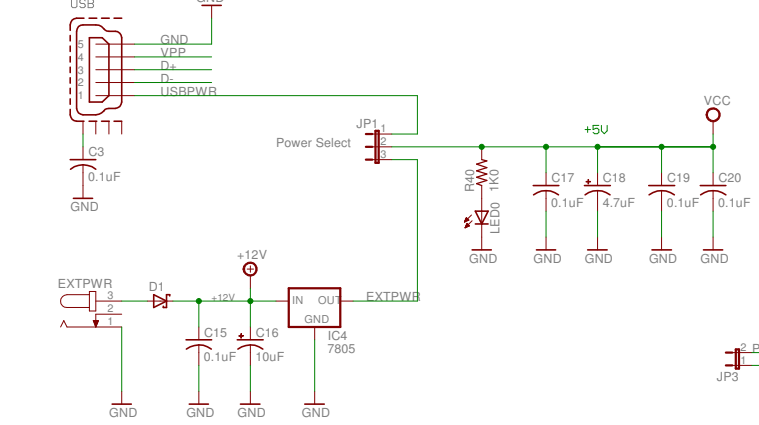
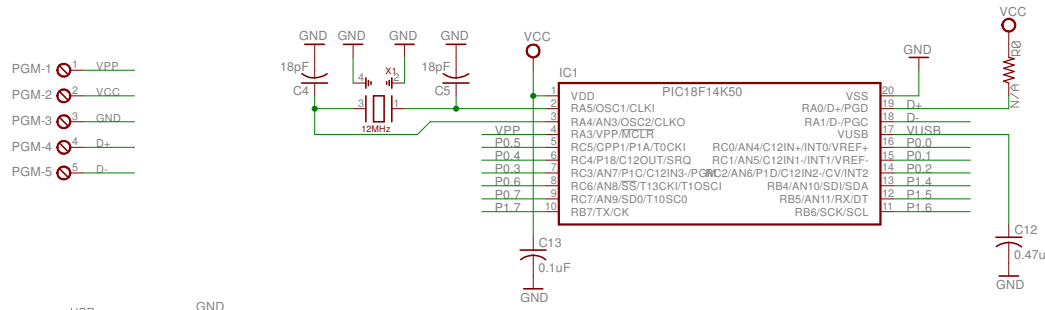
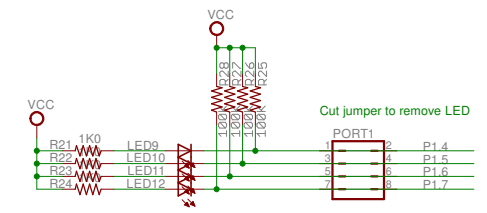
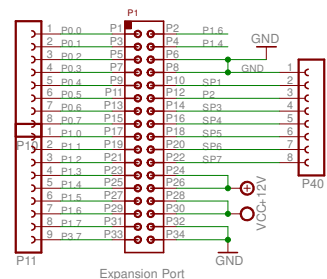
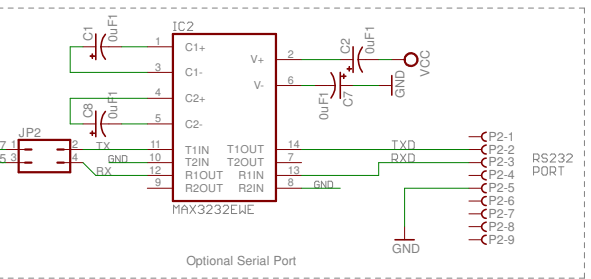


02-02-2016 - VER B - Added C13 0.1uF ceramic cap.  
 05-02-2021 - VER C - Changed LEDS to SMT0805. R0 now N/A, was 150K.

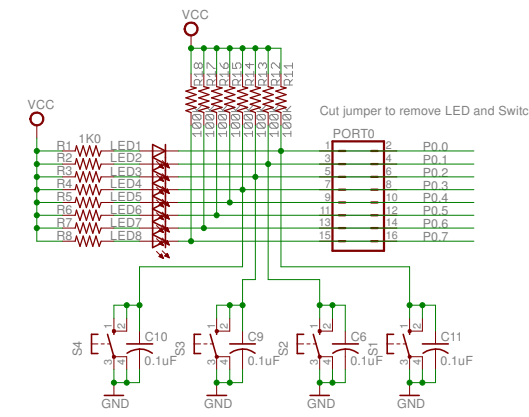


PWR IN 12-6VDC  
 Min: 5.5VDC

- IC2-1 VCC +5V
- IC2-2 P1.6 SCLK
- IC2-3 P1.4 SDATA
- IC2-4 GND

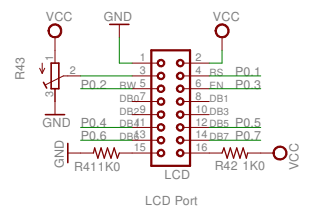
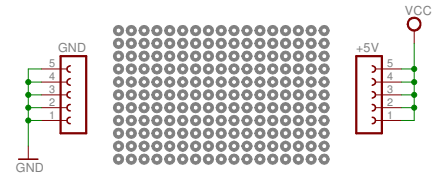


PORT1	NAME	PIN#	Function
P1.4	RB4	13	LED21
P1.5	RB5	12	LED22, RX
P1.6	RB6	11	LED23
P1.7	RB7	10	LED24, TX



Port Mapping

PORT0	NAME	PIN#	Function
P0.0	RC0	16	LED1, SW1
P0.1	RC0	15	LED2, SW2
P0.2	RC2	14	LED3, SW3
P0.3	RC3	7	LED4, SW4
P0.4	RC4	6	LED5
P0.5	RC5	5	LED6
P0.6	RC6	4	LED7
P0.7	RC7	9	LED8, Buzzer



# Delcom Products

TITLE: USBPICDEMO		
Document Number:	902120	REV: C
Date: 5/12/2021 7:31:18 PM	Sheet: 1/1	

PCB Dimensions: 4"x2"