

Port Map

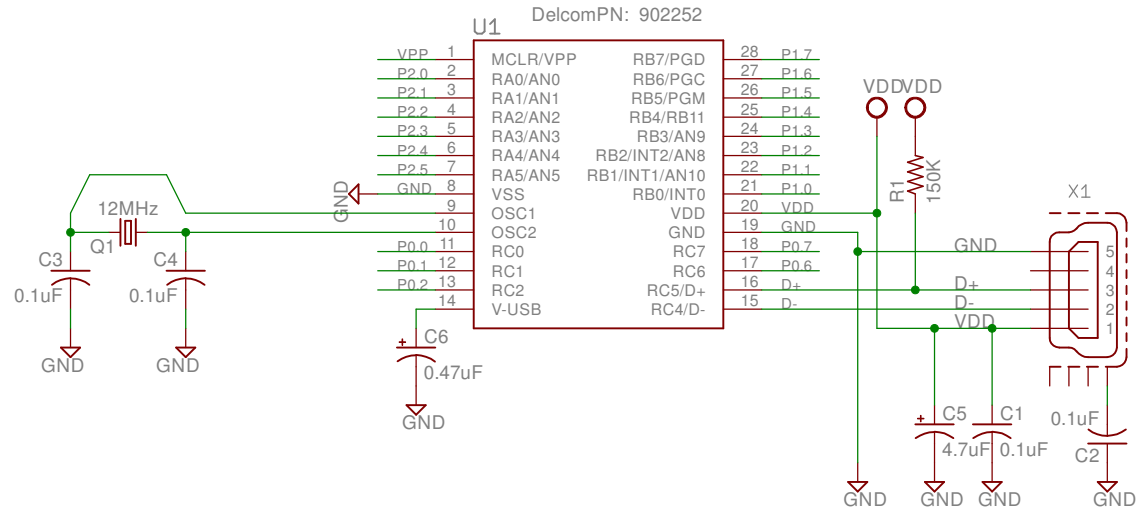
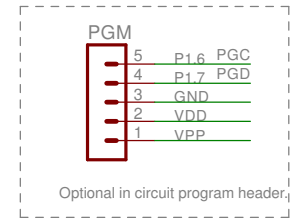
Port 0.0 - RC0 - Pin 11
 Port 0.1 - RC1 - Pin 12
 Port 0.2 - RC2 - Pin 13
Port 0.3 - 0.5 - Not available
 Port 0.6 - RC6 - Pin 17
 Port 0.7 - RC7 - Pin 18
 Port 0 Modes: CMOS output,
 High impedance Input (No internal pullups)

Port 1.0 - RB0 - Pin 21
 Port 1.1 - RB4 - Pin 22
 Port 1.2 - RB4 - Pin 23
 Port 1.3 - RB4 - Pin 24
 Port 1.4 - RB4 - Pin 25
 Port 1.5 - RB5 - Pin 26
 Port 1.6 - RB6 - Pin 27 - Also PGC
 Port 1.7 - RB7 - Pin 28 - Also PGD
 Port 1 Modes: CMOS output,
 High impedance Input with optional pullups

Port 2.0 - RA0 - Pin 2
 Port 2.1 - RA1 - Pin 3
 Port 2.2 - RA4 - Pin 4
 Port 2.3 - RA4 - Pin 5
 Port 2.4 - RA4 - Pin 6
 Port 2.5 - RA5 - Pin 7

Port 2.6 - 2.7 - Not Available
 Port 2 Modes: CMOS output,
 High impedance Input (No internal pullups)

* Unused ports with out internal pullups
 should be tied high or low with pullups.



Bill of Materials

Qty	Ref	Desc	Value
1	PGM	5Pin 0.1" Male Header	MA05-1
4	C1, C2, C3, C4	Ceramic Cap 0805	0.1uF 50V
1	C5	Tantalum Cap 1205	4.7uF 10V
1	Q1	Crystal SM49	12MHz
1	R1	Resistor 0805	150K 1/8W 1%
1	X1	MINI USB Conector	USB Mini B 5Pin
1	IC1	USB Micro	PIC18F14K50
1	C6	Ceramic Cap 0805	0.47uF 50V

03/26/14 Rev A - Initial Release
 11/26/2018 Rev B - Corrected pins on program header.

USB PIC Minimum Schematic 28Pin

TITLE: USBPICMINSCH-28

Document Number:

REV:
B

Date: 11/26/2018 12:43:51 PM

Sheet: 1/1