

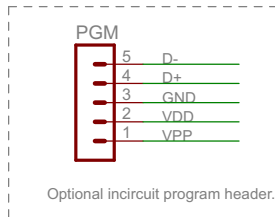
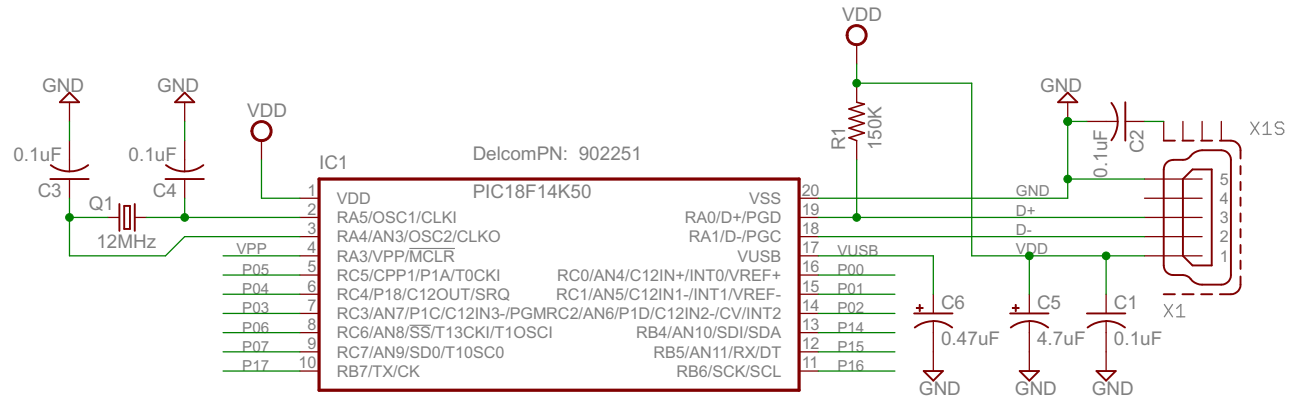
### Port Map

Port 0.0 - RC0  
 Port 0.1 - RC1  
 Port 0.2 - RC2  
 Port 0.3 - RC3  
 Port 0.4 - RC4  
 Port 0.5 - RC5  
 Port 0.6 - RC6  
 Port 0.7 - RC7  
 Port 0 Modes: CMOS output,  
 High impedance Input ( No internal pullups)

### Port 1.0-1.3 - Not available

Port 1.4 - RB4  
 Port 1.5 - RB5  
 Port 1.6 - RB6  
 Port 1.7 - RB7  
 Port 1 Modes: CMOS output,  
 High impedance Input with optional pullups

\* Unused ports with out internal pullups  
 should be tied high or low with pullups.



### Bill of Materials

Qty	Ref	Desc	Value
1	PGM	5Pin 0.1" Male Header	MA05-1
4	C1, C2, C3, C4	Ceramic Cap 0805	0.1uF 50V
1	C5	Tantalum Cap 1205	4.7uF 10V
1	Q1	Crystal SM49	12MHz
1	R1	Resistor 0805	150K 1/8W 1%
1	X1	MINI USB Conector	USB Mini B 5Pin
1	IC1	USB Micro	PIC18F14K50
1	C6	Ceramic Cap 0805	0.47uF 50V

10/13/11 Rev A - Initial Release  
 03/26/14 Rev B - Added port map

## USB PIC Minimum Schematic 20 Pin

TITLE: USBPICMINSCH-20

Document Number:

REV:  
B

Date: 3/26/2014 5:38:31 PM

Sheet: 1/1